



Alfa Laval M3

Gasketed plate-and-frame heat exchanger for a wide range of applications

Alfa Laval Industrial line is a wide product range that is used in virtually all types of industry.

Suitable for a wide range applications, this model is available with a large selection of plate and gasket types.

In addition to normal single plate configuration, this model is also available with double wall plates. Double wall plates are used as an extra precaution to avoid intermixing of fluids.

Applications

- Biotech and Pharmaceutical
- Chemicals
- Energy and Utilities
- Food and Beverages
- Home and Personal care
- HVAC and Refrigeration
- Machinery and Manufacturing
- Marine and Transportation
- Mining, Minerals and Pigments
- Pulp and Paper
- Semiconductor and Electronics
- Steel
- Water and Waste treatment

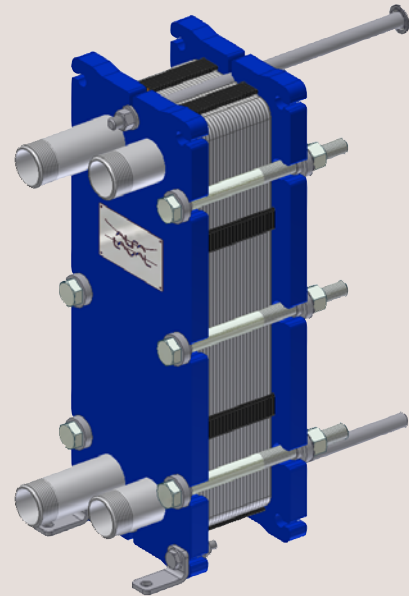
Benefits

- High energy efficiency – low operating cost
- Flexible configuration – heat transfer area can be modified
- Easy to install – compact design
- High serviceability – easy to open for inspection and cleaning and easy to clean by CIP
- Access to Alfa Laval's global service network

Features

Every detail is carefully designed to ensure optimal performance, maximum uptime and easy maintenance. Selection of available features:

- Glued gasket
- Clip-on gasket
- Leak chamber
- Fixed bolt head
- Key hole bolt opening
- Lifting lug
- Lining
- Lock washer
- Tightening bolt cover



Extending performance

with Alfa Laval 360° Service Portfolio

Our extensive services ensure top performance from your Alfa Laval equipment throughout its life cycle. The availability of parts and our team's commitment and expertise bring you peace of mind.

Start-up

- Installation
- Installation Supervision
- Commissioning

Maintenance

- Cleaning Services
- Reconditioning
- Repair
- Service Tools
- Spare Parts

Support

- Exclusive Stock
- Technical Documentation
- Telephone Support
- Training
- Troubleshooting

Improvements

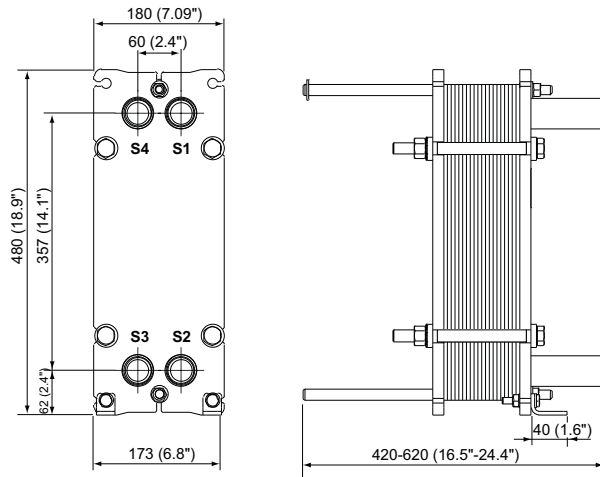
- Equipment Upgrades
- Redesign
- Replacement and Retrofit

Monitoring

- Condition Audit
- Performance Audit

Dimensional drawing

Measurements mm (inches)



The number of tightening bolts may vary depending on pressure rating.

Technical data

Plates

Name	Type	Free channel, mm (inches)
M3	Single plate	2.4 (0.095)
M3-D	Double wall plate	2.4 (0.095)
M3-G	Gemini (hygienic) Double wall	2.4 (0.095)
M3-X	Single plate Diagonal flow	2.4 (0.095)

Materials

Heat transfer plates	316/316L C-276 Ti, TiPd
Field gaskets	NBR, EPDM, FKM
Flange connections	Carbon steel
Pipe connections	Stainless steel, titanium
Frame and pressure plate	Carbon steel, epoxy painted

Other materials may be available on request.

All option combinations may not be configurable.

Operational data

Frame, PV-code	Max. design pressure (barg/psig)	Max. design temperature (°C/°F)
FG, ASME	10.3/150	177/350
FG, PED	16.0/232	180/356

Extended pressure and temperature rating may be available on request.

Pipe connections

Threaded port	ISO 228 - G 1 1/4
Internal parallel threaded	ISO 228 - G 1
External parallel threaded	ISO 228 - G 1 1/4 B
External tapered threaded	ISO 7 - R 1 1/4 1 1/4 - 11.5 NPT

Other connection types may be available on request.

How to contact Alfa Laval

Contact details for all countries are continually updated on our website. Please visit www.alfalaval.com to access the information direct.