



# Alfa Laval M15

## Gasketed plate-and-frame heat exchanger for a wide range of applications

Alfa Laval Industrial line is a wide product range that is used in virtually all types of industry.

Suitable for a wide range applications, this model is available with a large selection of plate and gasket types.

In addition to normal single plate configuration, this model is also available with double wall plates. Double wall plates are used as an extra precaution to avoid intermixing of fluids.

### Applications

- Biotech and Pharmaceutical
- Chemicals
- Energy and Utilities
- Food and Beverages
- Home and Personal care
- HVAC and Refrigeration
- Machinery and Manufacturing
- Marine and Transportation
- Mining, Minerals and Pigments
- Pulp and Paper
- Semiconductor and Electronics
- Steel
- Water and Waste treatment

### Benefits

- High energy efficiency – low operating cost
- Flexible configuration – heat transfer area can be modified
- Easy to install – compact design
- High serviceability – easy to open for inspection and cleaning and easy to clean by CIP
- Access to Alfa Laval's global service network

### Features

Every detail is carefully designed to ensure optimal performance, maximum uptime and easy maintenance. Selection of available features:

- 5-point alignment system
- Corner guided alignment system
- Chocolate pattern distribution area
- Glued gasket
- Clip-on gasket
- Leak chamber
- Bearing box
- Fixed bolt head
- Key hole bolt opening
- Lifting lug
- Lining
- Lock washer
- Pressure plate roller
- Tightening bolt cover



### Extending performance

#### with Alfa Laval 360° Service Portfolio

Our extensive services ensure top performance from your Alfa Laval equipment throughout its life cycle. The availability of parts and our team's commitment and expertise bring you peace of mind.

#### Start-up

- Installation
- Installation Supervision
- Commissioning

#### Maintenance

- Cleaning Services
- Reconditioning
- Repair
- Service Tools
- Spare Parts

#### Support

- Exclusive Stock
- Technical Documentation
- Telephone Support
- Training
- Troubleshooting

#### Improvements

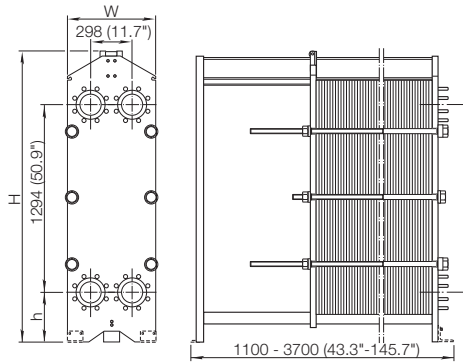
- Equipment Upgrades
- Redesign
- Replacement and Retrofit

#### Monitoring

- Condition Audit
- Performance Audit

## Dimensional drawing

Measurements mm (inches)



Type	H	W	h
M15-FL	1815 (71.5")	610 (24.0")	275 (10.8")
M15-FM	max. 1941 (76.4")	610 (24.0")	275 (10.8")
M15-FG	max. 1941 (76.4")	650 (25.6")	275 (10.8")
M15-FD	max. 2036 (80.2")	650 (25.6")	370 (14.6")

The number of tightening bolts may vary depending on pressure rating.

## Technical data

### Plates

Name	Type	Free channel, mm (inches)
M15-B	Single plate	2.5 (0.098)
M15-M	Single plate	4.0 (0.16)
M15-BD	Double wall plate	2.5 (0.098)

### Materials

Heat transfer plates	304/304L, 316/316L, 904L, 254 C-276, C-2000 825 Ni, Ti, TiPd
Field gaskets	NBR, EPDM, FKM, Q
Flange connections	Carbon steel Metal lined: stainless steel, titanium Rubber lined: NBR, EPDM
Frame and pressure plate	Carbon steel, epoxy painted

Other materials may be available on request.

All option combinations may not be configurable.

## Operational data

Frame, PV-code	Max. design pressure (barg/psig)	Max. design temperature (°C/°F)
FL, pvcALS	6.0/87	130/266
FM, pvcALS	10.0/145	180/356
FM, PED	10.0/145	180/356
FG, pvcALS	16.0/232	180/356
FG, ASME	11.7/170	250/482
FG, PED	16.0/232	180/356
FD, pvcALS	30.0/435	180/356
FD, ASME	20.7/300	180/356
FD, PED	30.0/435	180/356

Extended pressure and temperature rating may be available on request.

## Flange connections

FL, pvcALS	EN 1092-1 DN150 PN10 JIS B2220 10K 150A
FM, pvcALS	EN 1092-1 DN150 PN10 ASME B16.5 Class 150 NPS 6 JIS B2220 10K 150A
FM, PED	EN 1092-1 DN150 PN10 ASME B16.5 Class 150 NPS 6
FG, pvcALS	EN 1092-1 DN150 PN16 ASME B16.5 Class 150 NPS 6 JIS B2220 16K 150A
FG, ASME	ASME B16.5 Class 150 NPS 6
FG, PED	EN 1092-1 DN150 PN16 ASME B16.5 Class 150 NPS 6
FD, ASME	ASME B16.5 Class 300 NPS 6
FD, PED	EN 1092-1 DN200 PN25 ASME B16.5 Class 300 NPS 6

Standard EN1092-1 corresponds to GOST 12815-80 and GB/T 9115.

### How to contact Alfa Laval

Contact details for all countries are continually updated on our website. Please visit [www.alfalaval.com](http://www.alfalaval.com) to access the information direct.